

Model: Pomelo-P3		Date: 19-Feb-01	No.: MG063001
Modified Article: Parts Catalogue		Prepared by: H.K.	
From: Technical Service Dept., GTS Division			
Reason for Modification:	<input checked="" type="checkbox"/> Parts catalog correction <input type="checkbox"/> To facilitate assembly <input type="checkbox"/> Part standardization	<input type="checkbox"/> Vendor change <input type="checkbox"/> To improve reliability <input type="checkbox"/> Other	<input type="checkbox"/> To meet standards ()

P/N correction

Please correct your parts catalogue as follows:

Incorrect part number	Correct part number	Description	Q'ty	Int	Page	Index	Note
V127395	V126697	Paper Guide D2(2pcs)	1	-	7	35	
V126660	V127434	Paper Exit Filter	1	-	5	22	

Model Name	V/Hz	Destination	Code	Serial Number
Ricoh Color Laser AP206 Gestetner C7006 Savin SLP6c	120/60	USA	G063-17	
Gestetner C7006 nasuatec C7006 Rex-Rotary C7006	220,230,240/ 50,60	Europe, etc	G063-22	
Ricoh Color Laser AP206	220,230,240/ 50,60	Europe, etc	G063-27	

Model: Pomelo-P3		Date: 06-Mar-01	No.: MG063002
Modified Article: Parts Catalogue		Prepared by: H.K.	
From: Technical Services Dept., GTS Division			
Reason for Modification:	<input checked="" type="checkbox"/> Parts catalog correction <input type="checkbox"/> To facilitate assembly <input type="checkbox"/> Part standardization	<input type="checkbox"/> Vendor change <input type="checkbox"/> To improve reliability <input type="checkbox"/> Other	<input checked="" type="checkbox"/> To meet standards ()

P/N correction

Please correct your parts catalogue as follows:

Incorrect part number	Correct part number	Description	Q'ty	Int	Page	Index	Note
V127374	V127465	Top Cover Ass'y 2(RI) U (-17 version only)	1		5	1	a)
V127378	V127462	Front Cover 2(RI)U (-17)	1		5	5	
V127378	V127464	Front Cover 2(RI)EA - NRG (-22)	1		5	5	
V127378	V127463	Front Cover 2(RI)E (-27)	1		5	5	

Note

a): V127374 is still used for the European version machines. Please correct the description in your parts catalogue as follows:

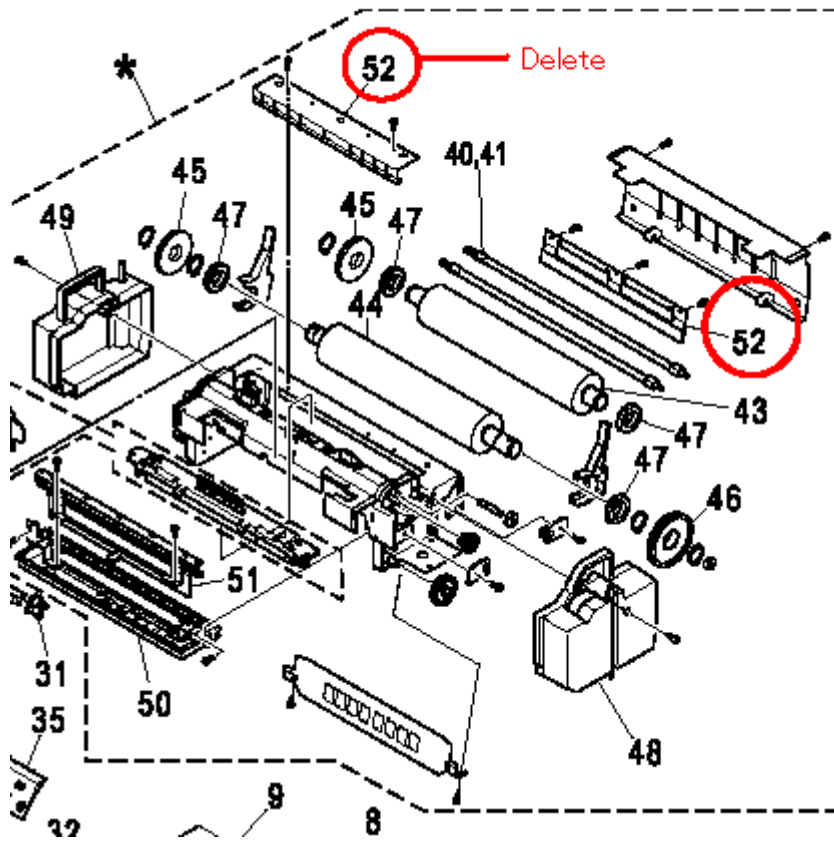
Part number	Incorrect description	Correct description	Page	Index	Note
V127374	Top Cover Ass'y 2(RI)	Top Cover Ass'y 2(RI) (-22, -27 version)	5	1	

Model Name	V/Hz	Destination	Code	Serial Number
Ricoh Color Laser AP206 Gestetner C7006 Savin SLP6c	120/60	USA	G063-17	
Gestetner C7006 nasuatec C7006 Rex-Rotary C7006	220,230,240/ 50,60	Europe, etc	G063-22	
Ricoh Color Laser AP206	220,230,240/ 50,60	Europe, etc	G063-27	

Model: Pomelo-P3		Date: 11-Jan-02	No.: MG063003
Modified Article: Parts Catalogue		Prepared by: H.K.	
From: Technical Services Dept., GTS Division			
Reason for Modification:	<input checked="" type="checkbox"/> Parts catalog correction	<input type="checkbox"/> Vendor change	<input type="checkbox"/> To meet standards ()
	<input type="checkbox"/> To facilitate assembly	<input type="checkbox"/> To improve reliability	
	<input type="checkbox"/> Part standardization	<input type="checkbox"/> Other	

Illustration correction

There are two callout number "52" indexes on page 6 in the parts catalogue. One is incorrect and should not be registered as a spare part. Please delete the callout shown in the illustration below.



Model: Pomelo-P3		Date: 4-Sep-02	No.: MG063004
Modified Article: Fusing Heater		Prepared by: H.K.	
From: Technical Services sec. Service Planning Dept.			
Reason for Modification:	<input type="checkbox"/> Parts catalog correction <input type="checkbox"/> To facilitate assembly <input type="checkbox"/> Part standardization	<input checked="" type="checkbox"/> Vendor change <input type="checkbox"/> To improve reliability <input type="checkbox"/> Other	<input type="checkbox"/> To meet standards ()

Due to a vendor change, the P/N for the Fusing Lamp and Fusing Unit have been changed.

Old part number	New part number	Description	Q'ty	Int	Page	Index	Note
V127189	V127479	Fusing Unit (US)H2 - 120V	1	O/O	3 7	1 *	
V127190	V127480	Fusing Unit (EC)H2 - 230V	1	O/O	3 7	1 *	
V127268	V127470	Fusing Heater (US)H2 - 120V	1	O/O	7	40	
V127269	V127471	Fusing Heater (EC)H2 - 230V	1	O/O	7	41	

Model: Pomelo-P3		Date: 3-Dec-02	No.: MG063005
Modified Article: BD Gear Ass'y		Prepared by: H.K.	
From: Technical Services sec. Service Planning Dept.			
Reason for Modification:	<input type="checkbox"/> Parts catalog correction <input type="checkbox"/> To facilitate assembly <input type="checkbox"/> Part standardization	<input type="checkbox"/> Vendor change <input type="checkbox"/> To improve reliability <input checked="" type="checkbox"/> Other	<input type="checkbox"/> To meet standards ()

The material of the BD Gear Assembly has been changed to improve its durability.

Old part number	New part number	Description	Q'ty	Int	Page	Index	Note
V127247	V127709	BD Gear Ass'y 2A	1	X/O	7	9	

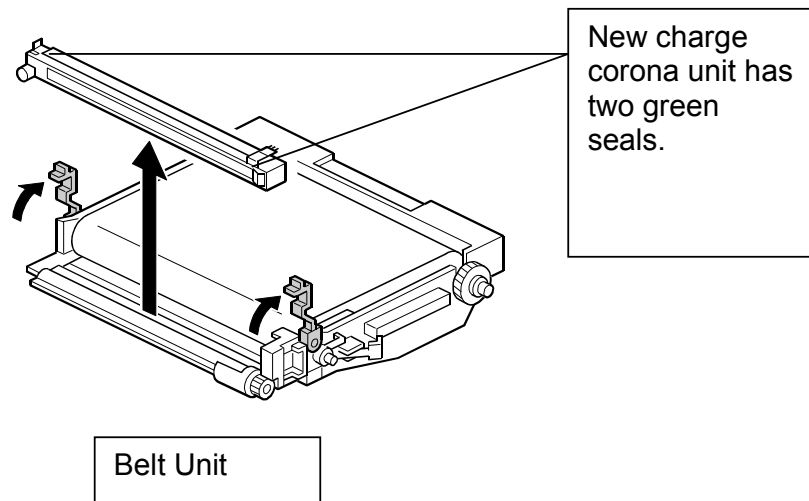
Model Name	V/Hz	Destination	Code	Serial Number
Ricoh Color Laser AP206 Gestetner C7006 Savin SLP6c	120/60	USA	G063-17	P69211XXXXX
Gestetner C7006 nasuatec C7006 Rex-Rotary C7006	220,230,240/ 50,60	Europe, etc	G063-22	P692100001
Ricoh Color Laser AP206	220,230,240/ 50,60	Europe, etc	G063-27	P6921000076

Model: Pomelo-P3		Date: 21-Apr-03	No.: MG063006
Modified Article: charge Corona - Belt Cartridge		Prepared by: H.K.	
From: 1st Tech. Support Sec. Service Support Dept.			
Reason for Modification:	<input type="checkbox"/> Parts catalog correction	<input type="checkbox"/> Vendor change	<input type="checkbox"/> To meet standards ()
	<input type="checkbox"/> To facilitate assembly	<input type="checkbox"/> To improve reliability	
	<input type="checkbox"/> Part standardization	<input checked="" type="checkbox"/> Other	

Old part number	New part number	Description	Q'ty	Int	Page	Index	Note
	V127431	Charge Corona - Belt Cartridge	1		3	*14	*:New index

The charge corona unit (Charge Corona – Belt Cartridge) has been modified for field removal from the belt unit (Photo Conductor Unit), and registered as an individual service part. This has been applied to machines in production from May 2001.

Note: The newly registered charge corona unit can be identified by two green seals, one on either end of the unit.



Model: Pomelo-P3		Date: 1-Sep-03	No.: MG063007
Modified Article: IOD2 P.W.B.		Prepared by: H.K.	
From: 1st Tech. Support Sec. Service Support Dept.			
Reason for Modification:	<input type="checkbox"/> Parts catalog correction <input type="checkbox"/> To facilitate assembly <input type="checkbox"/> Part standardization	<input type="checkbox"/> Vendor change <input checked="" type="checkbox"/> To improve reliability <input type="checkbox"/> Other	<input type="checkbox"/> To meet standards ()

An insulating sheet has been added to the IOD2 board to ensure proper connection between the board and transfer cam clutch, minimizing occurrences of code 72 due to interference from the ferrite core between the two components.

Old part number	New part number	Description	Q'ty	Int	Page	Index	Note
V127262	V127713	IOD2 P.W.B 2	1	O/O	7	27	

Model: Pomelo-P3	Date: 28-Nov-03	No.: MG063008
------------------	-----------------	---------------

Modified Article: Fusing Roller		Prepared by: H.K.	
From: 1st Tech. Support Sec. Service Support Dept.			
Reason for Modification:	<input type="checkbox"/> Parts catalog correction	<input checked="" type="checkbox"/> Vendor change	<input type="checkbox"/> To meet standards ()
	<input type="checkbox"/> To facilitate assembly	<input type="checkbox"/> To improve reliability	
	<input type="checkbox"/> Part standardization	<input type="checkbox"/> Other	

Old part number	New part number	Description	Q'ty	Int	Page	Index	Note
V127272	V127729	Fusing Roller N	1	O/O	7	44	
V127479	V127710	Fusing Unit (US) H2A	1	O/O	3	1	
					7	*	
V127480	V127711	Fusing Unit (EC) H2A	1	O/O	3	1	
					7	*	

The above have been changed due to a vendor change.